



Sweden (HK)

Balco AB
Älgvägen 4
352 45 Växjö
Telefon +46 470 53 30 00
Telefax +46 470 53 30 97
balco@balco.se
www.balco.se

Norway

Balco AS
Sandstuveien 60A
1184 Oslo
Telefon +47 23 38 12 00
Telefax +47 23 38 12 01
balco@balco.no
www.balco.no

Denmark

Balco AS
Industriholmen 15 B
2650 Hvidovre
Telefon +45 57 83 13 50
Telefax +45 57 83 43 50
balco@balco.dk
www.balco.dk

Germany

Balco GmbH
Schönefelder Chaussee 233
125 24 Berlin
Telefon +49 30 634 998 25
Telefax +49 30 634 998 24
balco@balco.de
www.balco.de

UK

Balco Balcony Systems Ltd
136 Tuffley Avenue
Gloucester, GL1 5NS
Telefon +44 1452 559 404
Telefax +44 1452 559 404
balco@balcouk.com
www.balcouk.com

FOLDING GLASS WITH FRAME

Care advice and instructions for use



CONGRATULATIONS ON YOUR NEW GLAZED BALCONY

We at Balco thank you for your custom and warmly welcome you to your outdoor room. To get the best possible use out of your new space, we would ask you to read through the care instructions. If there is a change of ownership, we would ask you to give this information to the new owner.

Cleaning the lower track profile

The lower track profile of the window drains water through drainage holes in the bottom of the profile. The tracks, runners and drainage holes can be vacuumed or cleaned with a cloth.

Cleaning the windows

The panes can be cleaned just like normal windows, either with water or window cleaner. Avoid alkaline window cleaners.

Cleaning aluminium profiles and laminate panels

Clean with liquid soap, washing-up liquid or a similar cleaner. Do not use solvents such as paint thinner, as it may cause damage to the laminate and lacquered profiles. The only solvent that can be used is methylated spirit, applied with care.

Cleaning the balcony floor

The balcony floor can be cleaned with a normal cleaner such as liquid soap.

Replacing glass, laminate panels

The above and other parts should only be replaced by authorised fitters.

Roller blinds

Roller blinds may only be fitted to the window sections, by Balco-authorized fitters. They are pulled up and down using the chain. The roller blinds must be dry when they are rolled up and should also be rolled up when the windows are open. Clean with a damp cloth.

Adverse weather conditions

In adverse weather conditions, strong winds combined with rain or snow may cause some water penetration. However, this will have no damaging effect on the materials. If the temperature is so low that the water around the

windows has frozen, avoid sliding the windows, as this may damage the brushes along their edges.

Condensation

The self-ventilating design of the glazing unit should keep the windows free of condensation. However, some condensation may occur in adverse weather conditions. In this case, you can open the windows slightly at the sides to allow the damp air to escape.

Do not drill into the frame

Since water is drained away inside the profiles, drilling may lead to leaks.

Do not cover the ventilation gap

For good ventilation and to ensure air supply to the building's ventilation system, the air gap between the window and the ceiling must not be covered.

Hanging awnings

Since this glazing unit is not reinforced with thick side profiles, awnings must not be hung on the unit.

Hanging lamps, etc.

If lamps or similar fittings are to be hung on the balcony, they should be fitted to the wall of the apartment, not the ceiling of the balcony, as this is made of a sandwich section which must not be drilled into.

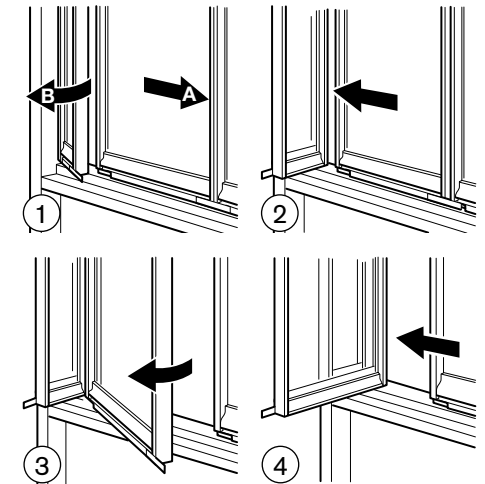
Damage

If any damage occurs, contact your caretaker, who has information about repairing paint damage and other damage of a similar nature. If major damage occurs, the caretaker will contact the supplier.

HOW TO OPEN THE WINDOWS

Go to the ventilation window (the smallest window).

- ① Place your hand on the frame of the larger window (A) and slide the window slightly to the side while at the same time opening and folding in the ventilation window (B).
- ② Slide the large window towards the open ventilation window.
- ③ Fold the window inwards.
- ④ Repeat the procedure for all the windows.



HOW TO CLOSE THE WINDOWS

- ⑤-⑧ When you want to close the window again, repeat the procedure in reverse order.

